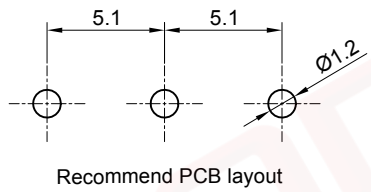
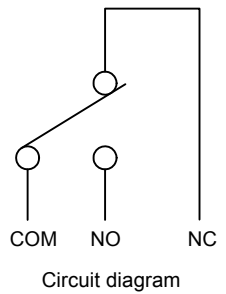
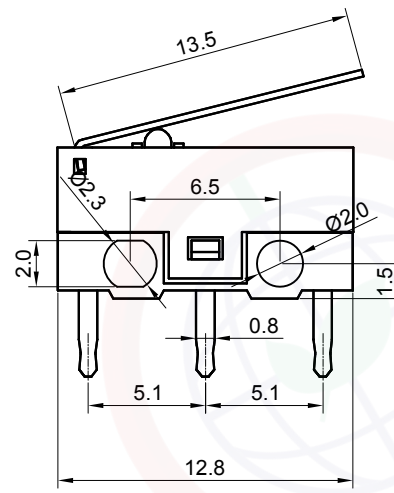
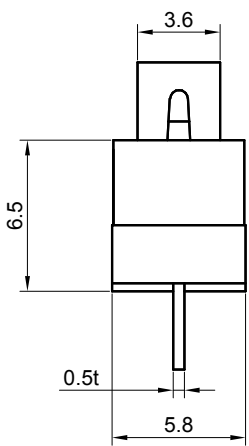


Dept	
Qty	
DC	1
ED	1
IE	1
ISO	1
PD	1
R&D	1
SD	1
QA	1
QC	1
QE	1

The information provided herein is from CONNELY Electronic Co., Ltd. and is confidential. Any disclosure to a party other than the recipient is prohibited. The intellectual properties and its rights contained herein, including but not limited to, trademarks, patents, copyrights, trade secrets, and technical know-how, are owned exclusively by CONNELY or its affiliates. Unauthorized use or reproduction of any part of this document is strictly prohibited. CONNELY may enforce its intellectual property rights at its own discretion, failures or delays to exercise such rights does not constitute a waiver of such rights.



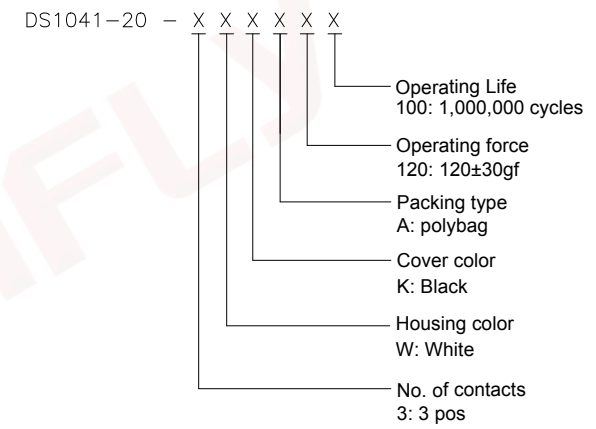
(Series Image-Reference Only)

REV.	DESCRIPTION	DRAWN	CHECKED	APPROVED
A	NEW RELEASE	JLZ 06/26/19'		

NOTES:

- Specifications
 - Contact Rating: 0.5A at 30Vdc
 - Insulation Resistance: 100MΩ min.
 - Contact Resistance: 50mΩ max.
 - Dielectric Withstanding Voltage: 500V AC(rms) for 1 minute.
 - Operating Life: 1,000,000 cycles
 - Travel: 1.5mm
 - Operation Temperature Range: -40°C to +85°C
 - Wave Soldering: Recommended Solder Temperature At 455°F(235°C)max. 5 Seconds

2. Product number code:



GENERAL TOLERANCE		ANGLE TOLERANCE		PROJECTION		TITLE	
X.	±0.60	X.	±5°	UNITS	mm	5.1mm Micro Switch 3 Positions	
.X	±0.38	.X	±3°	SHEET SIZE	A4	SERIES	DS1041-20 SERIES
.XX	±0.25	.XX	±2°	晨翔电子有限公司 CONNELY ELECTRONIC CO., LTD			
DRAWING TYPE		CUSTOMER					
SCALE	1:1	SHEET	1 OF 1				
DRAWING NO.		C-DS1041-20-XXXXXX-A					